



## FEATURES

- 4K (UHD, 2160p) resolution handy camera
- Exclusive viewer for broad range (iPad OS, Mac OS, Window, Android)
- Xenosys signature crisp clear camera lens design
- Standard  $f=16.5$  mm lens with good depth of focus, optional  $f=13$ ,  $f=20$  mm lens
- Easy attachment to existing headlight system (L2SX5, L2S15, L2SW, XD, L2S14C)
- Comes with compact essential package (Optional 5 m USB length cable)
- Flexible storage using mobile devices, Mac, or Window computer

## Attachment to various current Xenosys Headlight System



Lookscam LT with L2SX5



Lookscam LT with L2S15



Lookscam LT with L2SW

## Optional Lenses ( $f=13$ , $f=20$ )



$f=13$  mm



$f=20$  mm

## Package Box



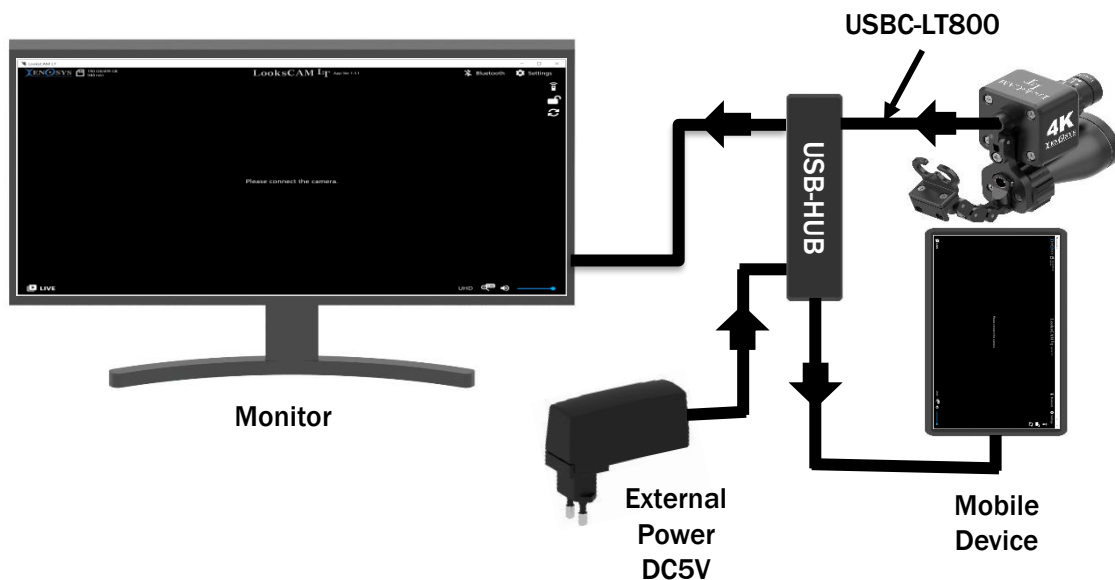
## Remote Controller (Optional)



## SPECIFICATION

Item	Contents
Image Sensor	8MP CMOS Sensor
Resolution	3840 H x 2160 V (4K) / 1080P / 720P
Output Format	MJPEG
Lens & Field of View (Horizontal FOV)	f13mm : HFOV165 @ WD 400mm f16.5mm : HFOV130 @ WD 400mm f20mm : HFOV100 @ WD 400mm
Digital zoom	2x to 8x (varied by OS)
Audio Input	Digital Microphone
Focus Mode	Manual Focus
Shutter Mode	Electronic Rolling Shutter
Output & Power Supply	High Speed USB2.0
Supported OS	Android, Windows, iPadOS, MacOS. (UVC-compliant, Plug and Play for Windows)
Viewer	LooksCAM LT Exclusive Viewer
Recording file unit	30 mins. (About 8 GB)

## CONNECTION DIAGRAM





# The Whole brand-new LED Headlight System ▪ L2SX5 (Single or Dual LED choices)

- ✓ Maximum Brightness 110,000 lx. (LLMX566D model, Battery powered @40cm)
- ✓ Single LED X566 have 61,000 lx. (Distance @ 40 cm away)
- ✓ Magnetic extension cable: Easy to attach & detach, comfortable to store
- ✓ Comes with light-weight handy carrying case ▪ Battery running time maximum 24 hours (at the lowest level)

**New Launch**

Additional battery (ONCLUDED)



Remote Controller



Carrying Case



L2SX5-S (Single LED)				
Step	Brightness (lx) @WD400mm Illumination (±10%)			Operating Time
	LLMX582	LLMX574	LLMX566	
1 <sup>st</sup>	12,000	14,000	18,000	24H
2 <sup>nd</sup>	22,000	25,000	33,000	13H
3 <sup>rd</sup>	30,000	40,000	44,000	10H
4 <sup>th</sup>	41,000	47,000	61,000	6h30m
L2SX5 -D(Double LED)				
Step	Brightness (lx) @WD400mm Illumination (±10%)		Operating Time	
	LLMX566D			
1 <sup>st</sup>	36,000		12h50m	
2 <sup>nd</sup>	64,000		7h30m	
3 <sup>rd</sup>	87,000		5h00m	
4 <sup>th</sup>	110,000		3h10m	

## FEATURES

- Super bright Dual LED headlight even its battery powered with ONE control unit
- Compact & light weight control unit, LED module
- Improved & compact size battery pack & Secure assembling system
- LED heat conduction effect: Multi link & attachment is made with aluminum
- LED module weight 12.3 g (LLMX582)
- More soft & durable LED wires



www.xenosys.co.kr

Manufacturer: XENOSYS CO., LTD.  
2, Venture-ro, 100 beon-gil, Yeosu-gu, Incheon 406-840, Republic of Korea  
Tel: +82-32-875-9811 Fax: +82-32-875-9813  
E-mail: sales@xenosys.co.kr / hadlee@hanmir.com URL: http://www.xenosys.co.kr