

# LUVIS PRODUCTS

# SURGICAL TABLE



LUVIS ST500 Series  
LUVIS ST300

# LUVIS | ST500 Series



## Feature



454kg Weight Capacity



Various Surgical Application



Innovative LED Alarm System



Collison Control

Convenient  
Efficient  
Smart  
Safe



Feature



Smart Anti-Collision



LED Alarm System  
(Lock/Unlock/Limit)



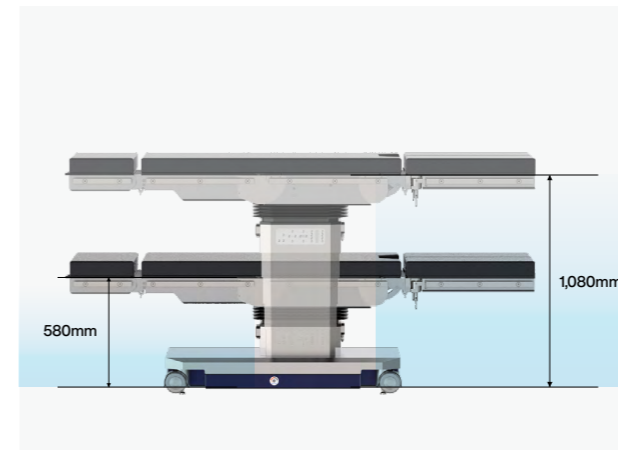
LCD Remote Controller  
(Display Realtime Information)



360° 4 Swivel Castors



Pre-Programmed Memory Position



Convenient

LUVIS ST500 provides convenient low height for MIS, robotic and bariatric techniques without sacrificing the height needed for orthopedic and cardiac procedures



Efficient

Optimal solution for cardiovascular surgery with wide imaging access and better radiolucency



Smart

Intelligent remote controller makes it easy to precisely adjust the patient's position



Safe

Smart Anti-Collision function ensures safety

### Effective Accessory Attachment

The LUVIS ST500 Series allows users to efficiently handle the removal and attachment of accessories such as orthopedic traction frames in a short period of time.



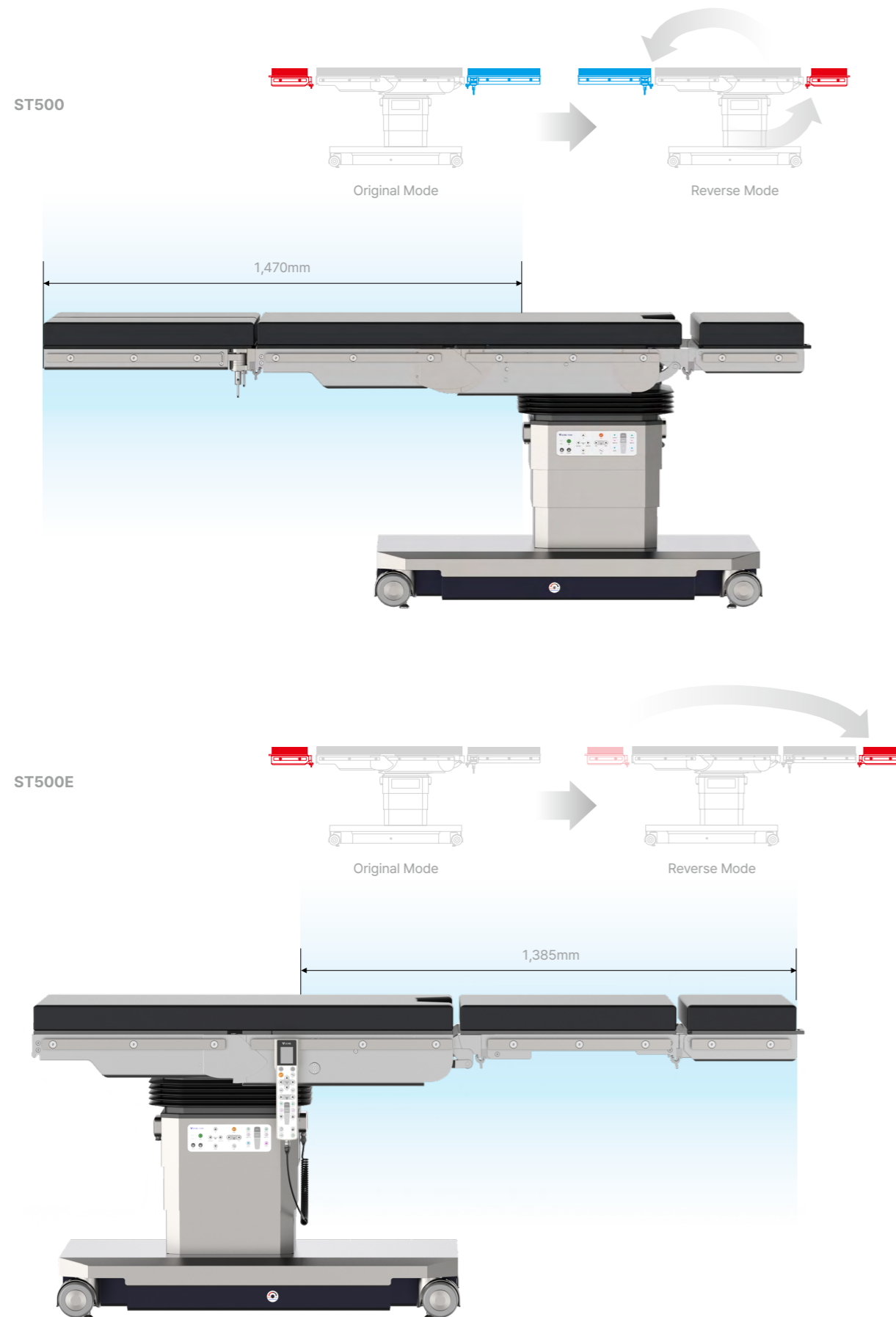
### Efficiency of Usability

LUVIS ST500 Series Tables and accessories are configured to provide an efficient platform for each procedure to suit the volume and variety of procedures to focus on the patient, streamlining the workflow and improving the efficiency of the operating room.



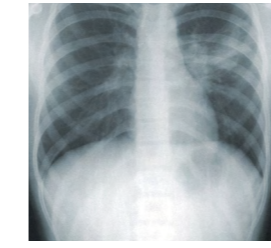
### Reverse Mode

To secure a wide imaging area, it can be utilized by switching to reverse mode



### LUVIS ST500 Series Is Designed for Optimal C-arm Access

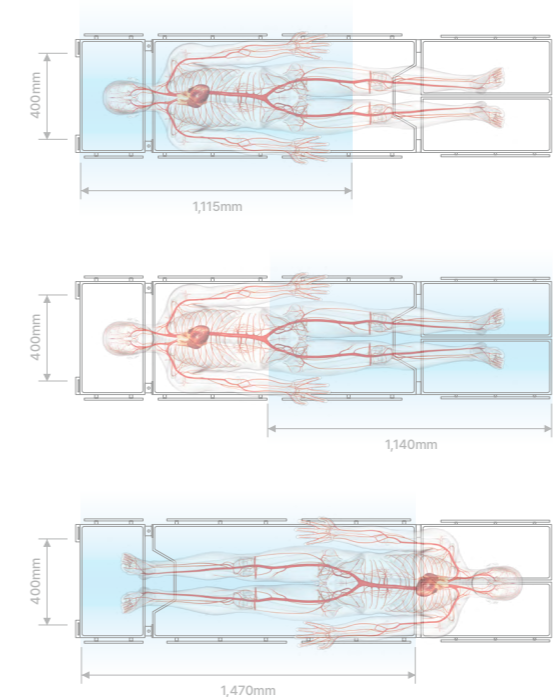
The combination of up to 460mm of longitudinal shift and reverse mode allows the patient to move to the desired position and the low base height and narrow column enable effective C-arm access. Additionally, the 400mm imaging area width is efficient for high-quality image acquisition



Optimal solution for cardiovascular surgery with wide imaging access and better radiolucency



### Effective C-arm Access



### Imaging Area

Table Position	Imaging Length	Width	Total imaging area
Table Slide to Head (Normal Mode)	1,115mm	400mm	4,460sq. cm
Table Slide to Foot (Normal Mode)	1,140mm	400mm	4,560sq. cm
Table Slide to Foot (Reverse Mode)	1,470mm	400mm	5,880sq. cm



**Kidney Elevator (\*option)**

The LUVIS ST500 Series offers an optional 11cm kidney elevator that can be used with the Flex function



**One Button Design**

The LUVIS ST500 Series allows users to efficiently handle the removal and attachment positions of accessories such as orthopedic traction frames in a short period of time



**Gas Spring Headrest Adjustment**

Easy angle manipulation with gas spring and high safety posture-maintenance functionality



**Comfortable Sheet**

The memory foam seat adjusts according to the user's body shape, ensuring an accurate and comfortable posture is maintained

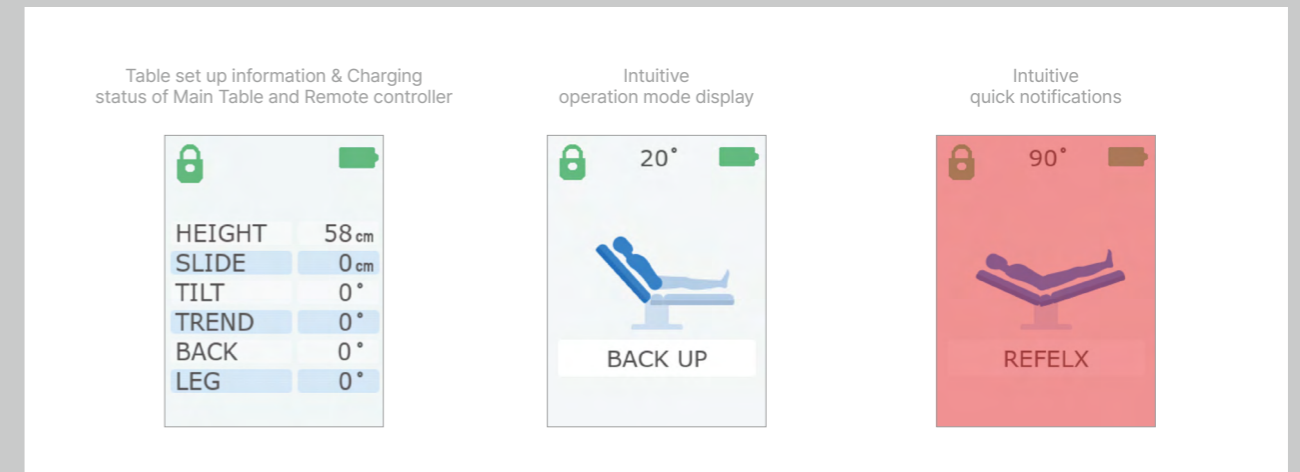




**Remote Controller**

Intelligent remote controller enables convenient adjustment of the surgical table

- The LCD display provides information on basic table condition and potential table section interference with automatic limit sensor function and service diagnostics
- Instant access to smooth articulation, return-to-level, floor lock activation and patient positioning
- Anti-Collision software stops sectional collisions
- The intelligently designed buttons offers quick and confident identification of the frequently used functions
- Efficient remote controller designed for wired and wireless use
- Backlit screen for clear visibility in darkened rooms
- Pre-programmed positions: Fracture table and beach chair



**Smart Remote Controller**

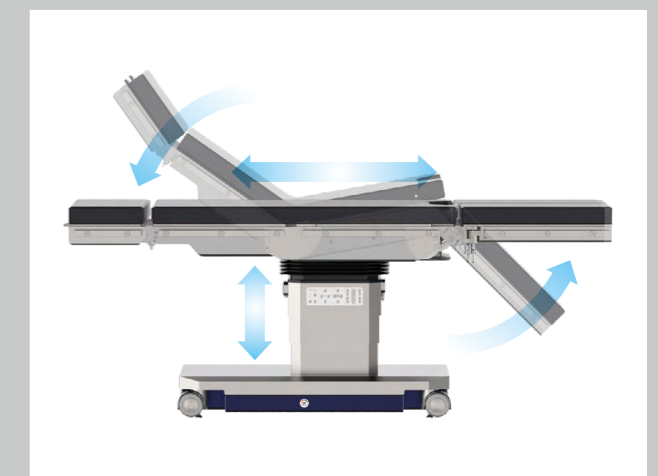
The smart remote controller makes it easy to position the patient. The ergonomic design and easy-to-read LCD display deliver instant table position data without lifting sterile drapes

There is also an automatic Anti-Collision avoidance device to protect the table



**Wired-wireless Remote Controller**

Available for both wired and wireless use according to user convenience



**Return to LEVEL (zero position)**

Provides a feature to reset the surgical table to its initial settings after each surgery, tailored to accommodate all surgical procedures



**Smart Anti-Collision**

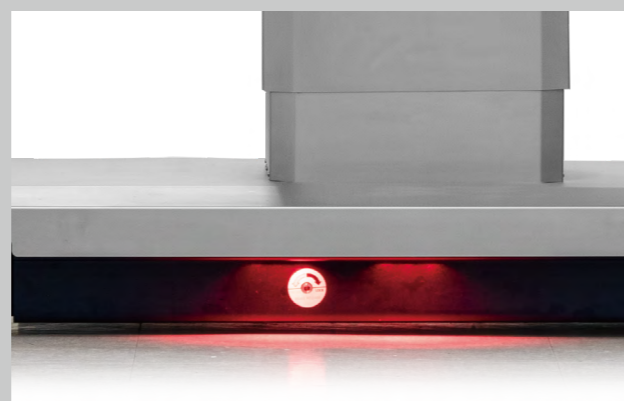
The intelligent collision prevention system utilizes a modular recognition system to monitor the positions of table elements, effectively preventing collisions.

This system also safeguards against leg plates colliding with solid objects when the table is covered with sterile surgical sheets.



**Self-Locking**

The self-locking system allows the headrest or leg plate to be attached safely and efficiently



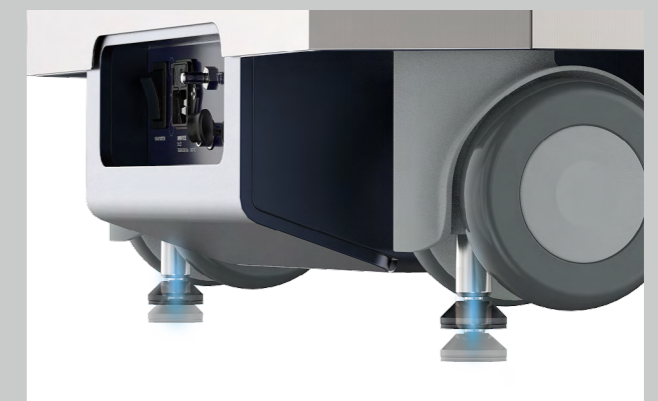
**LED Indication**

Enhancing safety, the LED indicators on either side of the lower base visually signify collision prevention between table sections, even in concealed areas covered by sterilization sheets



**Battery indicators (\*option)**

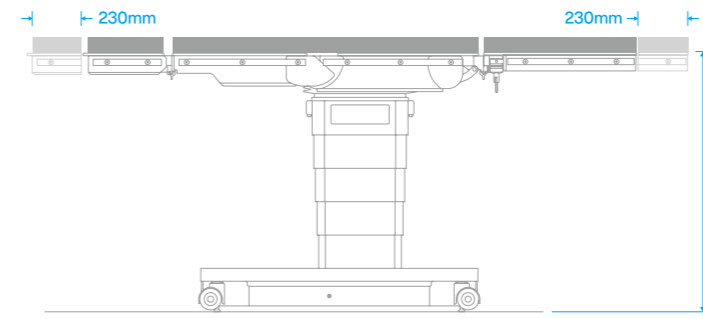
It is designed to allow real-time checking of the battery level



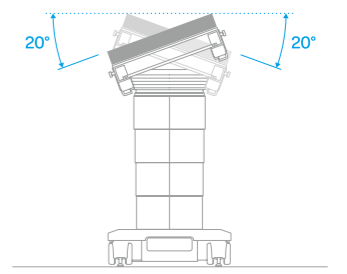
**Self-leveling**

Floor locking mechanism for stability even on uneven surfaces

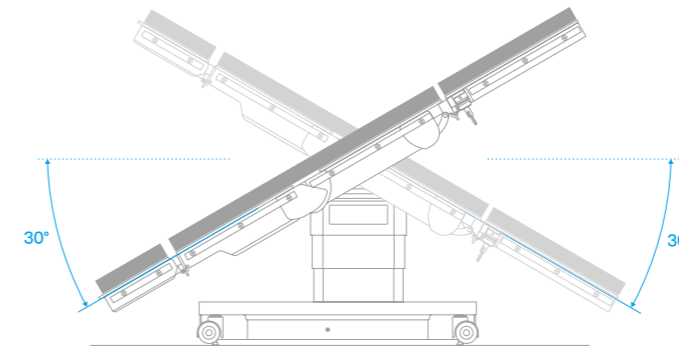
## Structure Features



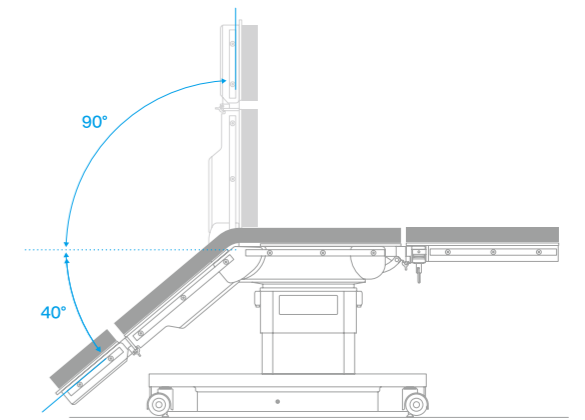
Longitudinal Slide



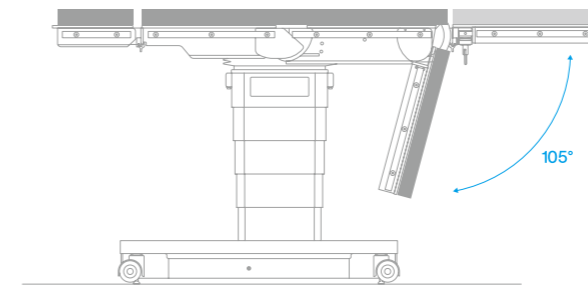
Tilt



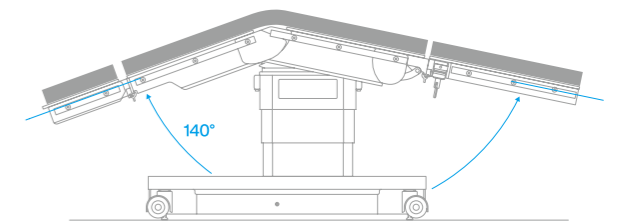
Trendelenburg



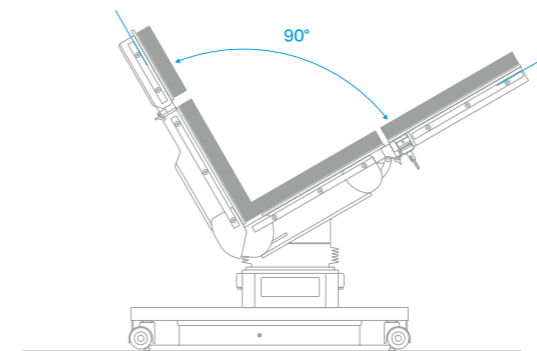
Back



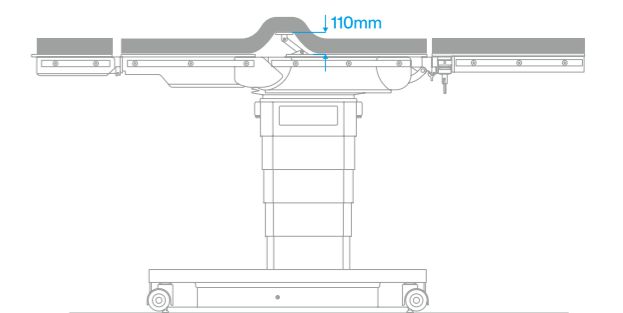
Leg (ST500E)  
\*ST500: 10°/-90° (manual)



Flex



Reflex



Kidney Elevator

# LUVIS | ST300



## Feature



Cost Effectiveness



Usability Beyond Expectations



Standard in the Operating Room



Flexibility and Access

Convenient  
Efficient  
Smart  
Safe



Feature



Return of Zero Position



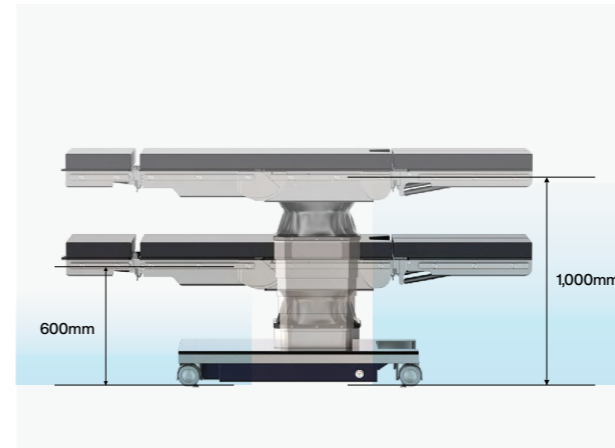
Easy Service



Wired Hand Controller



360° 4 Swivel Castors



Convenient

LUVIS ST300 provides adjustable height and multiple positioning for optimal surgical environment



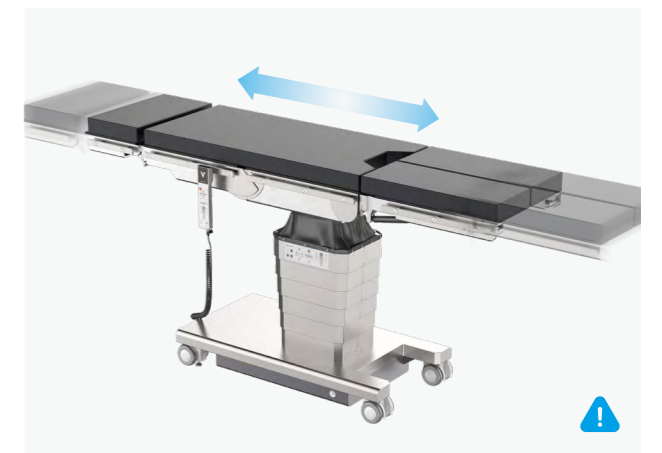
Efficient

Wide imaging access ensures efficient for high-quality image acquisition



Smart

Intelligent hand controller makes it easy to precisely adjust the patient's position

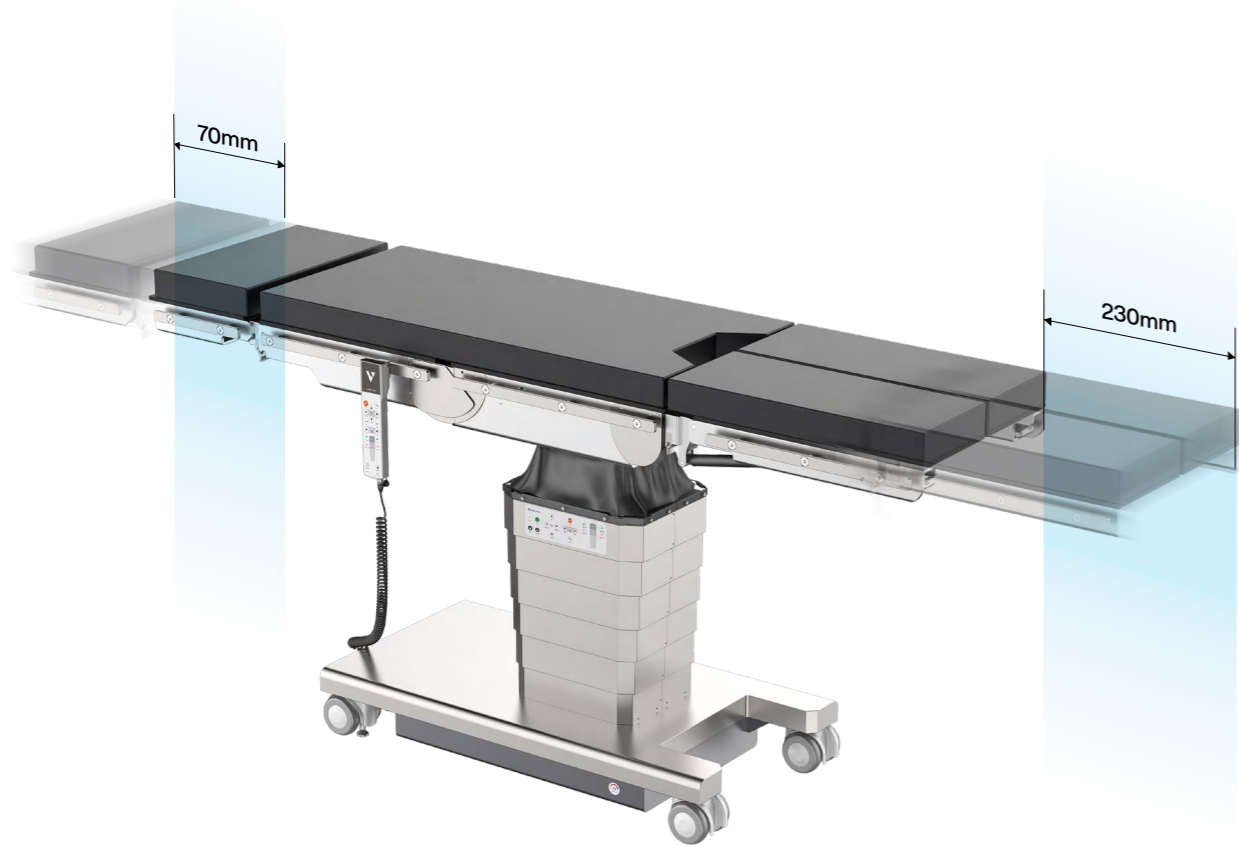


Safe

Anti-Collision feature activates during slide operation when back plate angle is less than 0 degrees

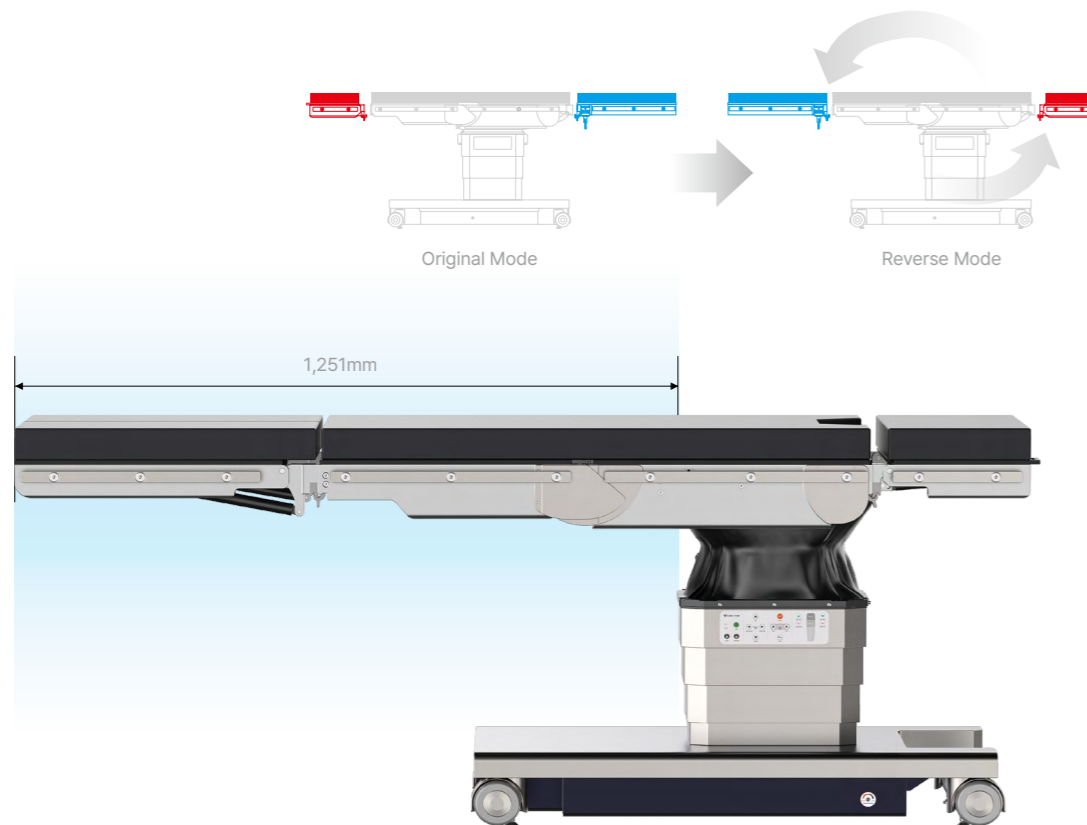
### Imaging Access

Living up to all requirements  
The multifunctional LUVIS ST300

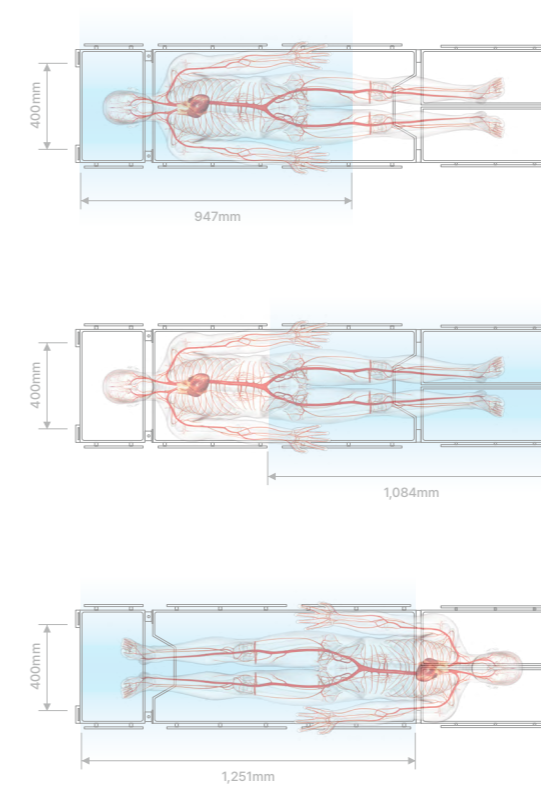


### Reverse Mode

To secure a wide imaging area, it can be utilized by switching to reverse mode



### Effective C-arm Access



### Imaging Area

<b>Table Slide to Head (Normal Mode)</b>	Imaging Length	Width	400mm
		Length	947mm
		Total imaging area 3,788sq. cm	

<b>Table Slide to Foot (Normal Mode)</b>	Imaging Length	Width	400mm
		Length	1,084mm
		Total imaging area 4,336sq. cm	

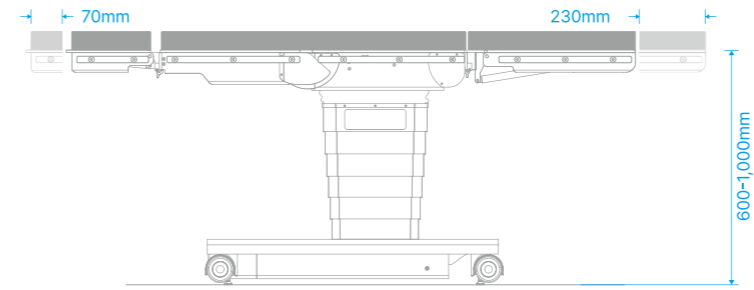
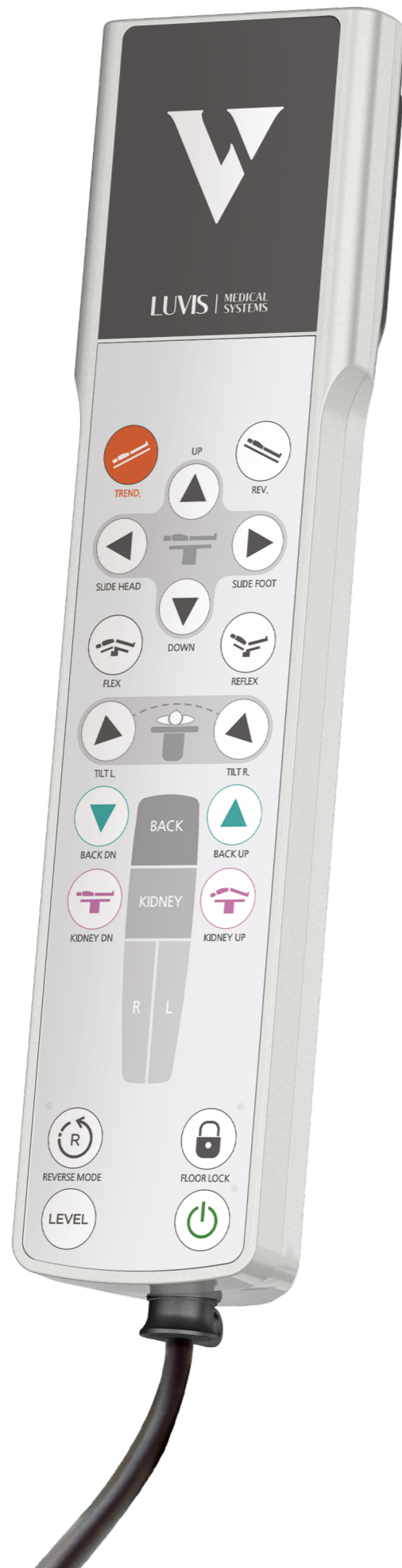
<b>Table Slide to Foot (Reverse Mode)</b>	Imaging Length	Width	400mm
		Length	1,251mm
		Total imaging area 5,004sq. cm	

Comfortable and ergonomic positioning with maximum foot access for the surgeon

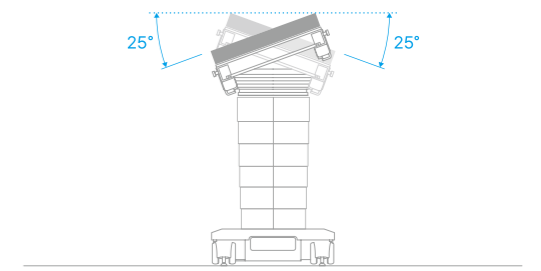


**Wired Hand Controller**

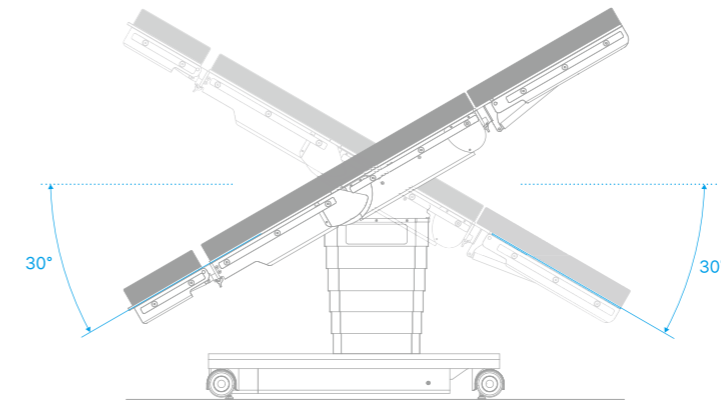
Intelligent wired hand controller enables convenient adjustment of the surgical table



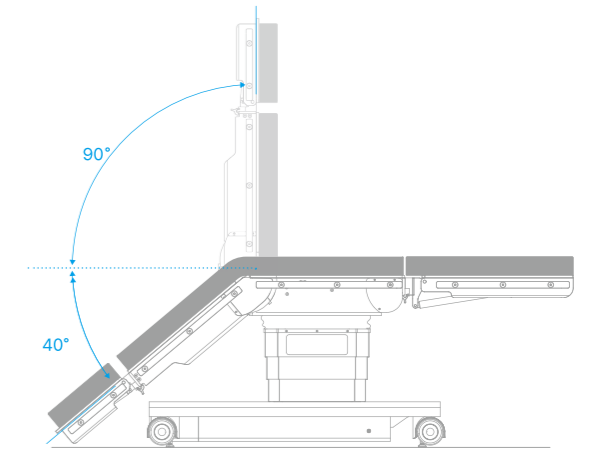
Longitudinal Slide



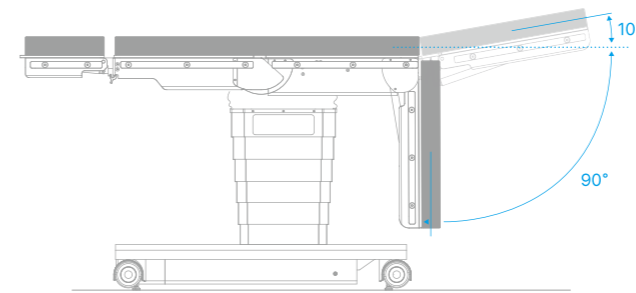
Tilt



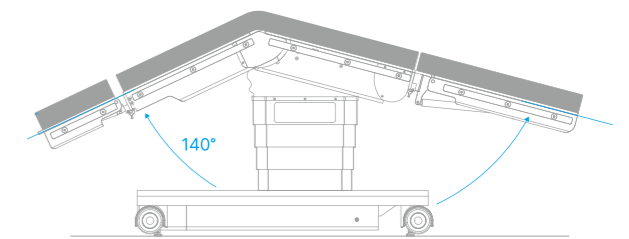
Trendelenburg



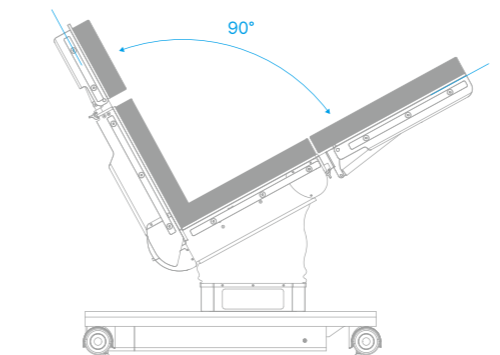
Back



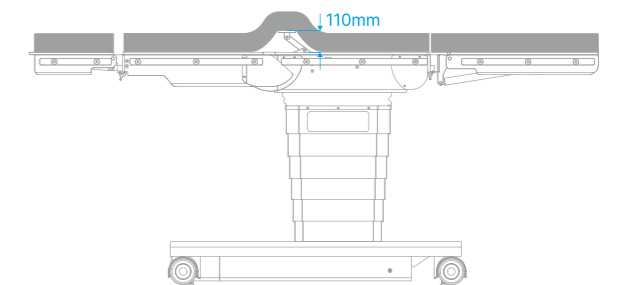
Leg



Flex



Reflex



Kidney Elevator